



Owner's Manual

Model 9800 All-Fiber Blower



Accu1Direct, Inc - 138 Denslow Road, East Longmeadow MA 01028

Tel: 800-438-2776 Fax: 413-224-1294

www.accu1.com



Table of Contents

1) Warranty	Page 3
2) Principles of Operation	Page 4
3) Maintenance	Page 5
4) Warnings	Page 6
5) Operating Instructions	Page 7
6) Machine Adjustments	Page 8
7) Airlock Seal Change Instructions	Page 9
8) Troubleshooting	Page 10



Warranty

Accu1Direct products are warranted to be free from defects in workmanship and materials for a period of five (5) years from date of purchase.

The following restrictions apply:

- 1) The warranty applies to products in normal use only. The product must be serviced and maintained as described herein.
- 2) If the product fails it will be repaired or replaced at the option of Accu1Direct.
- 3) All shipment/delivery charges are the responsibility of the purchaser.
- 4) Warranty service claims are subject to factory inspection for product defect(s). If during warranty evaluation it is determined that the machine has been used in any way other than the purpose for which it was designed, Accu1Direct reserves the right to void the warranty.
- 5) All warranty claims must be made within the warranty period. This warranty is non-transferrable.
- 6) Note that the warranty does not apply if the product or product part is damaged by accident, misuse, or has been tampered with in any way.
- 7) Normal wear items (seals, filters, etc.) are specifically excluded from warranty unless found defective by Accu1Direct.
- 8) Blowers, gear boxes, and engines are covered under the warranty of the manufacturers of those products.
- 9) This warranty is exclusive and shall be in lieu of any other warranty, expressed or implied, which may be available to the purchaser.
- 10) All returned goods must be accompanied by a Returned Goods Authorization number (RGA). Contact our factory to obtain the RGA number.



Principles of Operation Accu1Direct All-Fiber Machines

Accu1Direct's line of All-Fiber machines move material to specified areas by:

- 1) Conditioning materials via agitator/auger shafts so that it can be
- 2) Moved by pressurized air through hoses to the desired spaces.

- Fiber materials are loaded into the machine hopper.
- The agitator arms break up the materials while the auger moves the material to the air lock opening.
- In the airlock, rotating vanes carry conditioned material to the air stream at the bottom of the airlock.
- As the material passes by the air stream it is pushed through the airlock exhaust tube and into the attached hose.
- Moisture is added to the material as it exits the spray nozzle at the hose end during wet spray applications.



Maintenance

All Accu1Direct equipment is designed to give maximum service with minimum maintenance. The following table is a suggested guide to help you maintain your machine properly. Correct equipment care, i.e. KEEPING THE MACHINE OUT OF THE WEATHER, AND KEEPING FOREIGN OBJECTS OUT OF THE HOPPER, will be rewarded with many years of top performance.

IN SHOP PART CHECK SCHEDULE

<i>PART</i>	<i>CHECK PART FOR</i>	<i>DAY</i>	<i>WEEK</i>	<i>MONTH</i>
Air Intake Filter(s)	Clogged pores	✓		
Airlock Seals	Wear or Damage			✓
Belts	Free of Grease		✓	
	Tension			✓
Chains*	Tension			✓
Electrical	Connections for Material Build-Up; Clean as Needed			✓
	Contactors for Erosion or Pitted Points			✓
Motor Vents	Cleaned Out			✓

NOTE: DO NOT LUBRICATE CHAIN. Chain is permanently lubricated at the factory. Lubricating chain will cause it to wear faster because chain will collect dust and grit.

IN FIELD: Although all maintenance should be done on a regular basis at your shop rather than the field, occasional field adjustment may be required. The following list of tools will allow field personnel to perform any necessary equipment adjustments.

USEFUL TOOLS:

Screwdriver

Volt-Ohm Meter and Continuity Checker

Wrenches: Allen set (English), 8" Adjustable



Warnings

- 1) Do not attempt to service machine while running.
- 2) Doors and guards must be in place at all times during operation.
- 3) Do not wear loose fitting clothing or jewelry while using this machine.
- 4) Keep hands and arms out of the hopper and away from moving parts.
- 5) Do not leave the machine unattended while running.
- 6) Keep hands and face away from hose end while machine is operating.
- 7) Only trained personnel who have read this manual should be authorized to operate this machine.
- 8) Do not use objects to push material in the hopper.
- 9) Keep cutting tools (utility knives for example) away from hopper opening to avoid having these items fall into the hopper and damaging the machine.



Operating Instructions

1) Starting the Model 9800:

- Plug the Model 9800 into an appropriate power source via the recessed power receptacle on the front of the unit with the mating plug provided.
- Connect remote to the Model 9800 via the 100' remote cord provided. More remote cord can be added as required.
- Make sure the remote switch is in the **Off** position.
- Press the green **On** button. The **Remote** switch is now operational.
- For "Blower Only" operation set remote to **Blower Only** in the middle position of rocker switch. The blowers should come on, but the agitators will not spin.
- To feed material, select the third position on the remote's rocker switch. Both blowers and agitators should now be on.

2) Stopping the Model 9800:

- Press the red **Stop** button. The Model 9800 will not come on again until the green **On** button is pressed again.



Machine Adjustments

Blowers:

- Use **Blower Speed** dial located on electrical panel. Lower numbers represent lower speed; higher numbers represent higher speed.

Material:

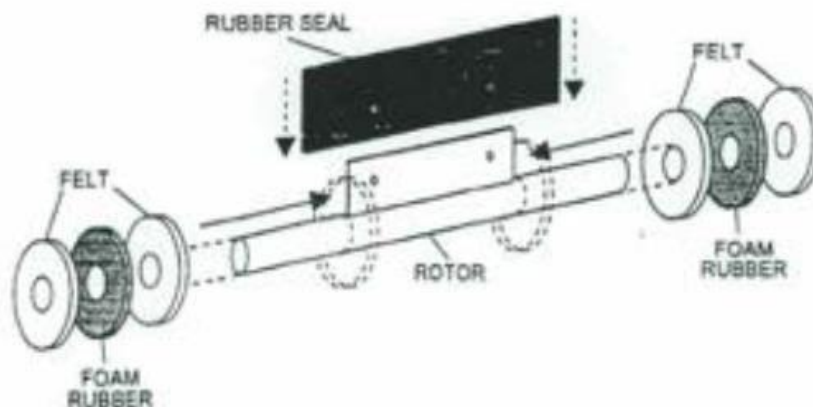
- To increase material flow, turn the **material feed screw** located at the rear of the machine clockwise with the hand crank provided. To decrease flow, turn the screw counter clockwise.

Airlock Seal Replacement Instructions

Regular maintenance on your Accu1Direct Model 9800 will extend the life of the equipment and provide better production. Replace all of your airlock seals as soon as a decrease in production occurs. Airlock seal life may vary dramatically because of such factors as type and quality of material used (the more abrasive the material, the shorter the seal life) and damaging objects like knives, hammers, or nails.

To replace seals:

1. Remove airlock drive chain.
2. Remove sprocket on airlock.
3. Loosen set screws on both airlock bearings.
4. Remove bearings on front and back airlock plates.
5. Remove front airlock plate (outlet tube plate).
6. Remove rotor.
7. Remove old seals.
8. Clean rotor and check for damage.
9. Slide felt and foam rings into place as shown below.
10. Put new seals into place with the thinner ply side against the plate that is welded to the rotor; tighten the bolts only slightly.
11. Square up edges and press rubber firmly against felt and foam rings; tighten bolts (bolts are too tight if rubber squeezes out between plates).
12. Check airlock housing for any damage before re-assembly.
13. Reassemble by reversing process.
14. Be sure to promptly replace worn agitator paddles, because worn paddles will also reduce machine production.





TROUBLESHOOTING

<u>PROBLEM</u>	<u>CAUSE</u>	<u>REMEDY</u>
Will not run	1) Power cord not properly plugged in 2) Loose wire in power cord. 3) Main power switch off. 4) Circuit breakers won't stay on.	1) Remove plug, check ends, plug back in. 2) Check leads for fault – tighten. 3) Check switch – turn on. 4) Check for adequate power.
Runs without moving material	1) Material meter at zero setting 2) Clogged, kinked, or pinched hose stopping material flow. 3) Material blockage recurs. 4) Material blockage between blower and airlock chamber. 5) Material continues to clog hose.	1) Adjust for proper flow. 2) Check hose by leaving only blower on; clear flow passage. 3) Leave blower on continuously. 4) Take connector hose apart & purge with blower on. 5) Adjust motors speed or material meter.
Low Air Flow	1) Dirty filters. 2) Hose length longer than needed. 3) Improper airflow control set. 4) Seals in airlock (vane feeders) leaking or making noise.	1) Clean filters by tapping; or replace. 2) Shorten hose to shortest usable length. 3) Check control setting and re-set. 4) Remove old seals and replace with new.
Remote will not operate	1) Main power switch off. 2) Remote cord not plugged in. 3) Faulty cord. 4) Transformer burned out.	1) Check all settings & turn on. 2) Check connections & plug in. 3) Bypass remote cord, plug in & test at machine; replace faulty part. 4) Bypass remote cord, switch on & test at machine; replace faulty part. 5) Check remote cord to read 24 volts; replace transformer.
Blower runs but material feeder does not	1) Drive motor thermal protector needs to be re-set (after cooling). 2) Obstruction(s) in agitator hopper, or in airlock. 3) Electrical connectors loose at terminal block on panel edge. 4) Drive belt slipping.	1) Check rubber button on side of motor box; reset (noticeable click) when cool. 2) UNPLUG MACHINE ; then remove obstruction(s) from inside. 3) Check wires from blower & motor; tighten terminals. 4) Free belt of oil – set at proper tension.
Blower runs slow & drive motor will not start	1) Chemical or temperature freeze in airlock chamber. 2) Low voltage to machine. 3) Faulty generator.	1) Lubricate airlock with WD-40 – light spray only *NEVER USE OIL* 2) Use 10-3 power cord and/or check power supply; provide higher voltage. 3) Use 10-3 power cord and/or check power supply; replace part.